

LEGACY

LEGACY BOTTLE HOLDER

用户说明书



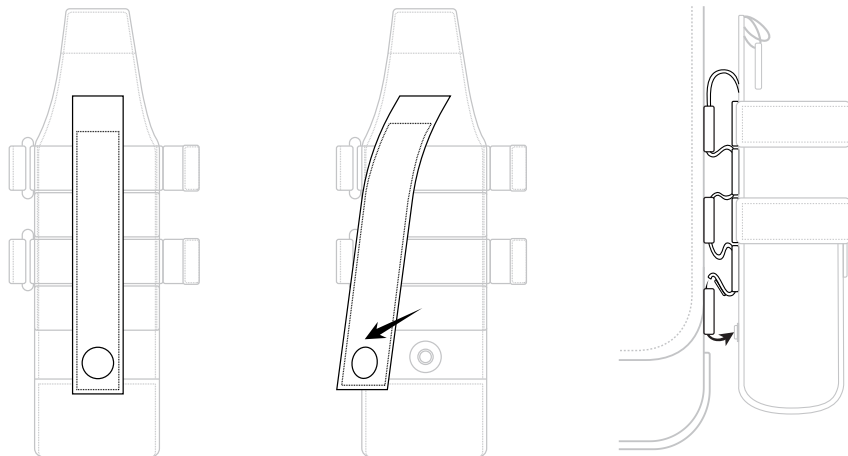
FURCHTLOS

ASSEMBLY TO THE MOLLE SYSTEM

安装在MOLLE织带上的流程

- 1** 解开水壶袋背面织带上的四合扣, 将水壶袋背面的织带穿过LEGACY系列任何带有5英寸MOLLE面板的织带, 和水壶袋上除带有魔术贴外的所有织带。全部穿过后按下四合扣。

Unfasten the rear strap on the bottle holder. Pass the strap alternating between the MOLLE webbing rows on any compatible LEGACY bag and the webbing loops on the bottle holder, as shown below, then refasten the snap at the base of the strap.



- 2** 放入水瓶后, 请将水壶袋上的弹力绳套于瓶口下方瓶身。在操作摩托车前, 请再次检查水壶袋是否已连接牢固。

After placing a bottle inside the bottle holder, use the elastic strap on the bottle holder to secure the neck of the bottle. Ensure the bottle holder and bottle are both securely attached.



WARNINGS AND GUIDELINES

警告和注意事项

使用警告 WARNING!

请参阅行李包使用说明，使用正确的安装方式！

Please read the user manual carefully and follow the recommended assembly method.

建议在每次操作摩托车之前检查水壶袋是否已连接牢固。

It's recommended to check that the bag is securely attached before each operation of the motorcycle.

切勿在水壶袋未关闭、未连接牢固等可能影响摩托车操作安全的情况下骑行。

Do not drive the motorcycle with a bag that is not fully closed, is not properly secured, or in any other condition that may affect the safe operation of the vehicle.

水壶袋的所有部分不得接触摩托车任何热度过高部件（如排气管等）。

The bottle holder should not have close contact with high temperature areas such as the exhaust pipe.

清洁与保养注意事项 CLEANING & MAINTENANCE

清洁时只允许使用柔软的纺织布或海绵，清水洗抹。

To clean, wipe with a damp cloth or sponge.

不得使用过高粗糙度的清洁工具、强力清洁剂以及高压清洗机等。

Do not use harsh cleaning agents, chemicals or high pressure cleaners.

当表面材料过长时间暴露在阳光直射下，或受到环境因素的影响时（如雾霾、酸雨等），可能会出现颜色变化或褪色现象。

When the surface material is exposed to direct sunlight for a long time or is affected by environmental factors (such as haze, acid rain, etc.), the color may fade or change.

产品沾染汽油或类似物质，必须立即清洁干净。

If the product is contaminated with gasoline or similar substances it must be cleaned immediately!

FURCHTLOS对清洁保养不当导致的产品损坏和颜色变化不承担任何责任。

FURCHTLOS does not assume any responsibility for product damage and color change caused by improper cleaning



只允许使用柔软的纺织布或
海绵清水洗抹
CLEAN WITH A DAMP CLOTH OR
SOFT SPONGE



禁止使用高压清洗机
DO NOT PRESSURE WASH



禁止使用过高粗糙度的清洁工具、
强力清洁剂等
DO NOT USE CHEMICALS OR HARSH
CLEANING AGENTS



沾染汽油或类似物质必须
立即清洁干净
CLEAN GASOLINE OR OTHER
SPILLS IMMEDIATELY!



保修登记
WARRANTY REGISTRATION



微信公众号
FURCHTLOS WECHAT